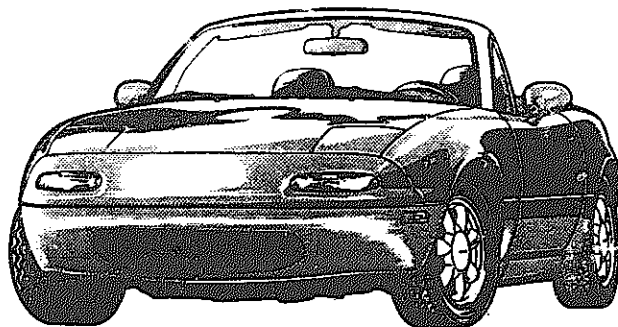


# Parts Catalog

Mazda MX-5 MIATA  
U.S.A.  
(93)



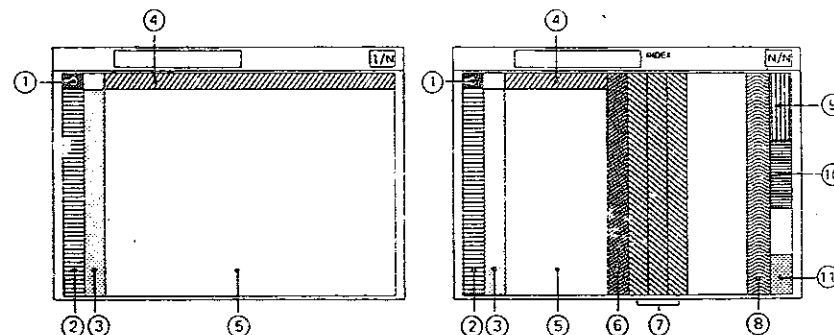
NA351-400001-500000

Oct. '94 (FINAL)  
Catalog No. AU-NA03-04

**mazda**  
© 1994 Mazda Motor Corporation

## LAYOUT OF CONTENTS / DISPOSITION TYPOGRAPHIQUE DE CONTENU / DISPOSICION DEL CONTENIDO / ANORDNUNG DES INHALTS

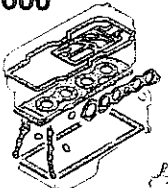
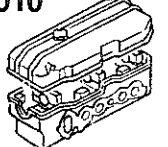
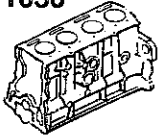
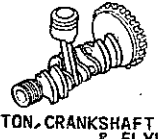
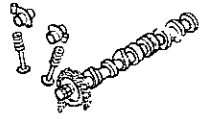
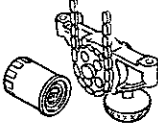
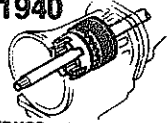
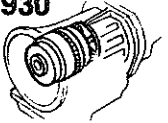

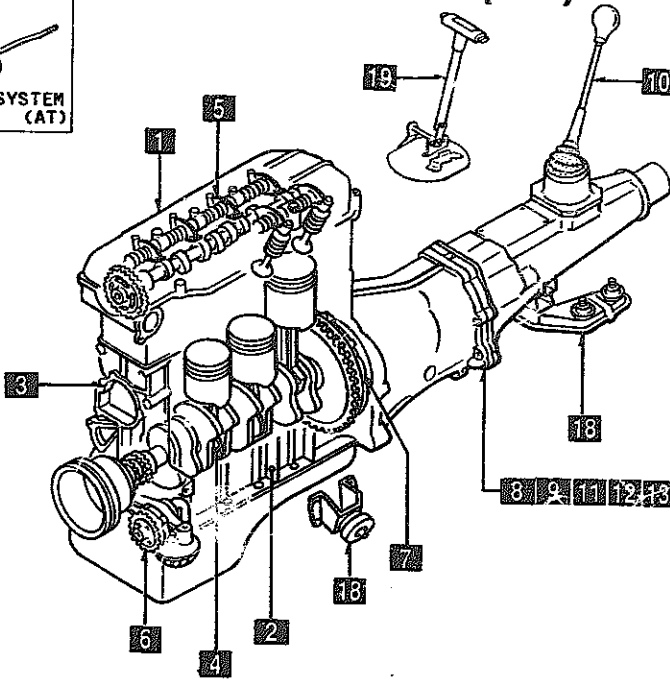
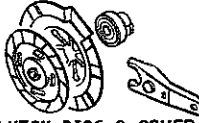
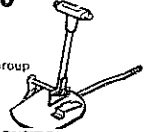
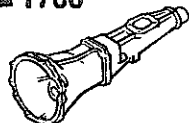
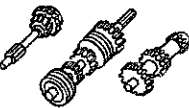
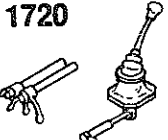

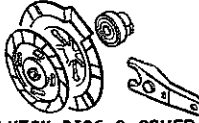
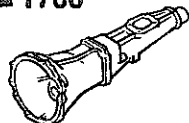
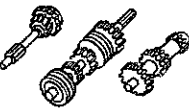

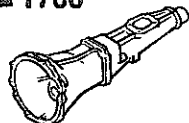
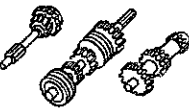
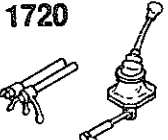
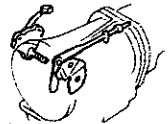
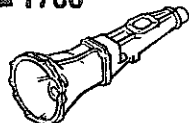
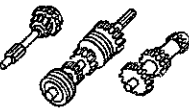
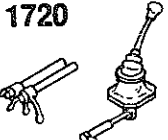
- The following is a typical example of the layout of contents of Mazda microfiche part catalog
- Voici un exemple typique de la disposition typographique de contenu dans les microfiches de catalogue des pièces de Mazda
- El siguiente es un ejemplo típico de la disposición del contenido en una microficha del catálogo de repuestos de Mazda.
- Folgendes ist ein typisches Beispiel der Inhaltsanordnung des Mazda-Mikrofiche-Teilekatalogs.



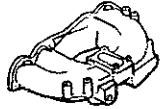

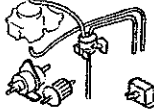

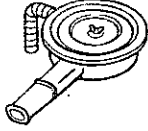
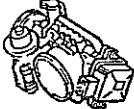
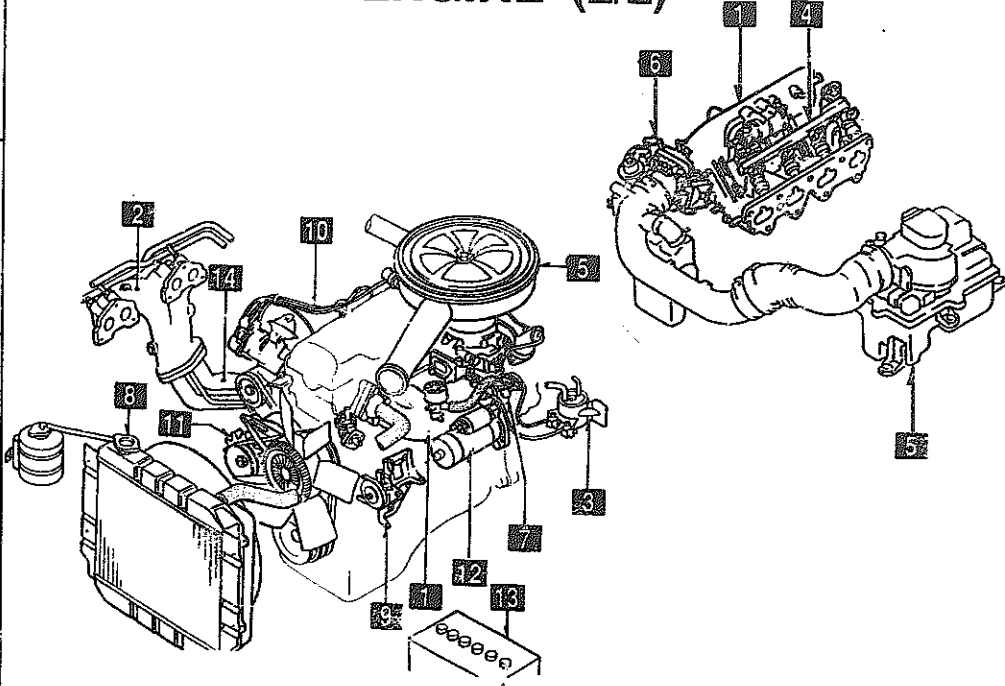
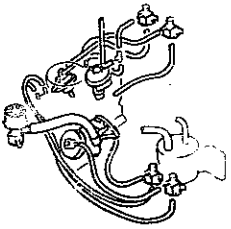
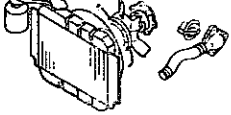
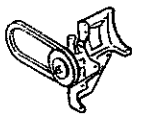
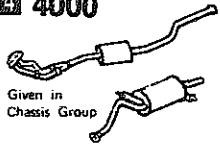
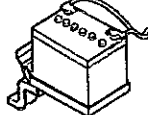
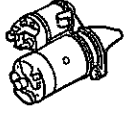
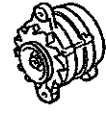
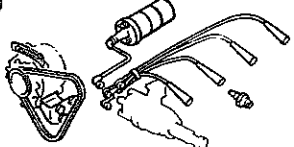
Remark : The items listed under ④ have been deleted from each fiche since Dec. '93

- |  |   |   |
|--|---|---|
| ① • Layout of contents<br>• Disposition Typographique de Contenu<br>• Disposición del contenido<br>• Anordnung des Inhalts   | ② • Pictorial Index<br>• Index par Schémas<br>• Índice Gráfico<br>• Illustrierter Index                           | ③ • Master Section No. Index<br>• Index des Numéros des Sections Totale<br>• Índice del Número de la Sección Maestra<br>• Hauptschnittsnummer-Index         |
| <del>④ • Section No. Index for the Column<br/>• Index des Numéros des Sections pour les Colonnes<br/>• N° de la Sección para el Índice<br/>• Abschnittsnummer-Index für die Spalte</del> | ⑤ • Illustration & Text<br>• Illustrations et Textes<br>• Ilustración y Texto<br>• Abbildung und Text             | ⑥ • Part No. Index<br>• Index des Numéros des Pièces<br>• Índice del N° de Pieza<br>• Teile-Nr. Index   |
| ⑦ • Alphabetical Index<br>• Index Alphabétique<br>• Índice Alfabético<br>• Alphabetischer Index  | ⑧ • Model Identification<br>• Identification des Modèles<br>• Identificación del Modelo<br>• Modell-Kennzeichnung | ⑨ • Vehicle Identification System<br>• Système d'Identification de Véhicule<br>• Sistema de Identificación de Vehículo<br>• Fahrzeug-Identifikations-system |

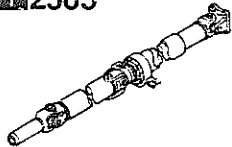
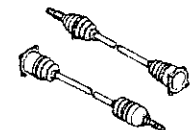
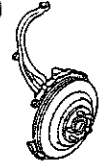

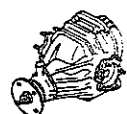


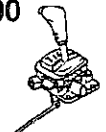
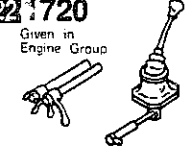
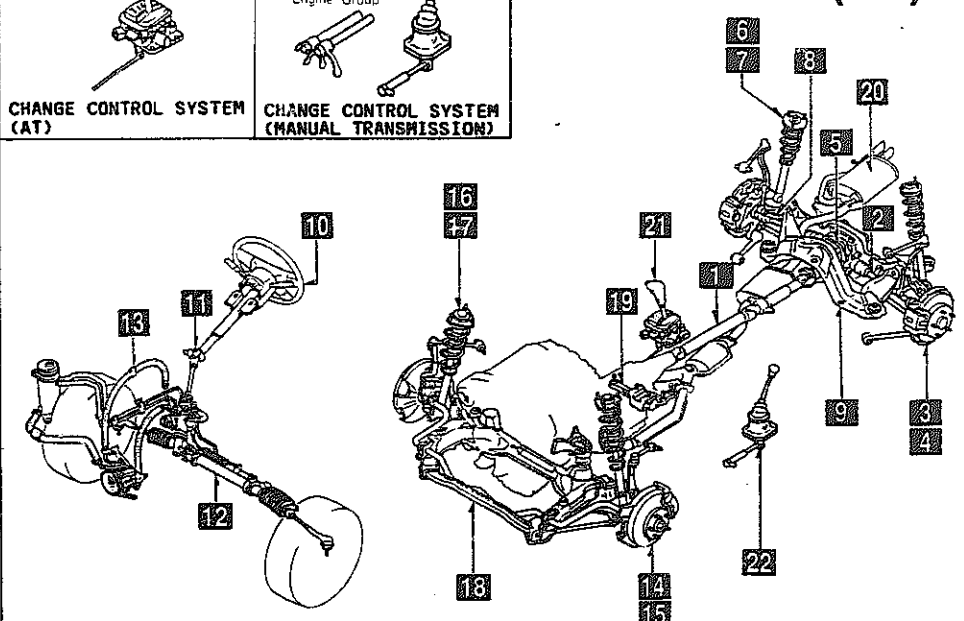
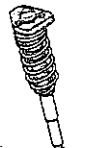


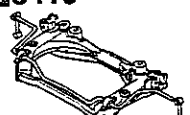
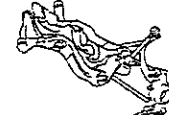
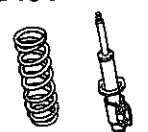

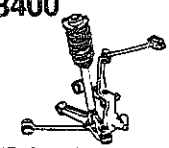

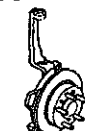
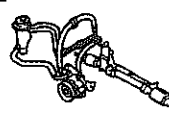
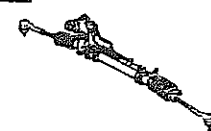
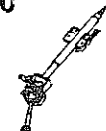
## PICTORIAL INDEX

<p><b>1000</b></p>  <p><b>CYLINDER HEAD &amp; COVER</b></p>	<p><b>1010</b></p>  <p><b>CYLINDER BLOCK</b></p>	<p><b>1030</b></p>  <p><b>OIL PAN &amp; TIMING COVER</b></p>	<p><b>1040</b></p>  <p><b>PISTON, CRANKSHAFT &amp; FLYWHEEL</b></p>	<p><b>1200</b></p>  <p><b>VALVE SYSTEM</b></p>	<p><b>1400</b></p>  <p><b>OIL PUMP &amp; FILTER</b></p>
<p><b>1940</b></p>  <p><b>GOVERNOR, LOW &amp; REVERSE PISTON (AUTOMATIC)</b></p>	<p><b>1930</b></p>  <p><b>CLUTCHES &amp; PLANETARY GEARS (AUTOMATIC)</b></p>	<p><b>1925</b></p>  <p><b>CONTROL VALVE (AUTOMATIC)</b></p>	<p><b>ENGINE (1/2)</b></p> 		<p><b>1600</b></p>  <p><b>CLUTCH DISC &amp; COVER (MANUAL)</b></p>
<p><b>1040</b></p>  <p><b>CHANGE CONTROL SYSTEM (AT)</b></p>			<p><b>1700</b></p>  <p><b>TRANSMISSION CASE (MANUAL)</b></p>	<p><b>1710</b></p>  <p><b>TRANSMISSION GEARS (MANUAL)</b></p>	<p><b>1720</b></p>  <p><b>CHANGE CONTROL SYSTEM (MANUAL)</b></p>
<p><b>183000</b></p>  <p><b>SHORT ENGINE &amp; GASKET SETS</b></p>			<p><b>1600</b></p>  <p><b>CLUTCH DISC &amp; COVER (MANUAL)</b></p>	<p><b>1700</b></p>  <p><b>TRANSMISSION CASE (MANUAL)</b></p>	<p><b>1710</b></p>  <p><b>TRANSMISSION GEARS (MANUAL)</b></p>
<p><b>183900</b></p>  <p><b>ENGINE &amp; TRANSMISSION MOUNTINGS</b></p>			<p><b>1700</b></p>  <p><b>TRANSMISSION CASE (MANUAL)</b></p>	<p><b>1710</b></p>  <p><b>TRANSMISSION GEARS (MANUAL)</b></p>	<p><b>1720</b></p>  <p><b>CHANGE CONTROL SYSTEM (MANUAL)</b></p>
<p><b>161950</b></p>  <p><b>MANUAL LINKAGE SYSTEM (AUTOMATIC)</b></p>			<p><b>1700</b></p>  <p><b>TRANSMISSION CASE (MANUAL)</b></p>	<p><b>1710</b></p>  <p><b>TRANSMISSION GEARS (MANUAL)</b></p>	<p><b>1720</b></p>  <p><b>CHANGE CONTROL SYSTEM (MANUAL)</b></p>
<p>As this illustration is prepared to be applicable to all models, some parts are different in specifications from those parts listed in this parts Catalog.</p>					

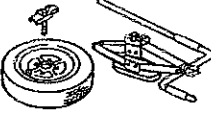
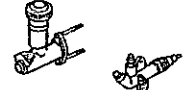
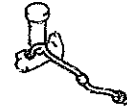

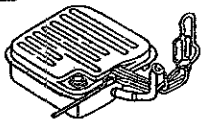
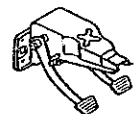
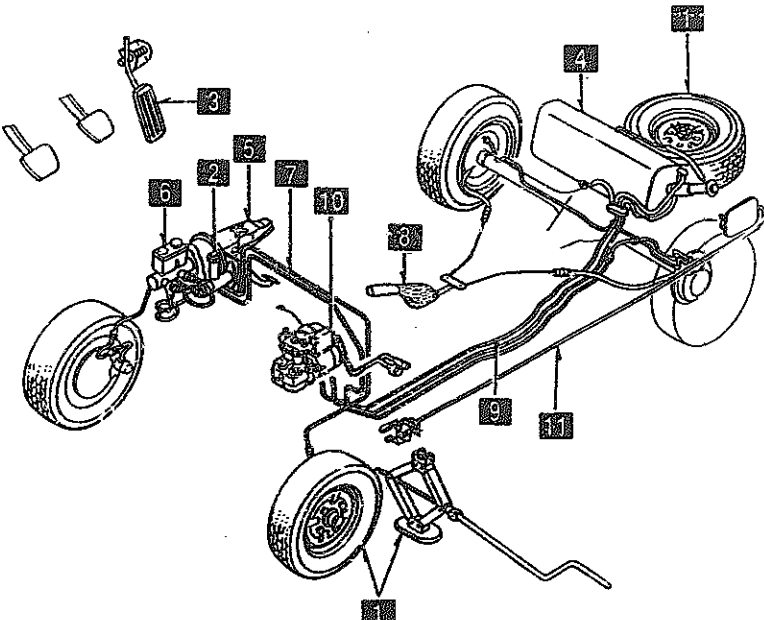
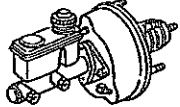


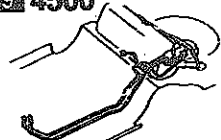

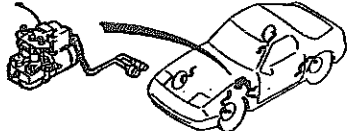
## PICTORIAL INDEX

<b>1</b> 1300  INLET MANIFOLD	<b>2</b> 1310  EXHAUST MANIFOLD	<b>3</b> 1320  FUEL SYSTEM	<b>4</b> 1325  FUEL DISTRIBUTOR	<b>5</b> 1330  AIR CLEANER	<b>6</b> 1364  THROTTLE BODY
<h3 style="margin: 0;">ENGINE (2/2)</h3> 					
<small>As this illustration is prepared to be applicable to all models, some parts are different in specifications from the parts listed in this parts Catalog.</small>					
<b>7</b> 1370  EMISSION CONTROL SYSTEM (INLET SIDE)					
<b>8</b> 1500  COOLING SYSTEM					
<b>9</b> 1580  BRACKET, PULLEY & BELT					
<b>14</b> 4000  Given in Chassis Group EXHAUST SYSTEM	<b>13</b> 1850  BATTERY	<b>12</b> 1840  STARTER	<b>11</b> 1830  ALTERNATOR	<b>10</b> 1800  ENGINE ELECTRICAL SYSTEM	



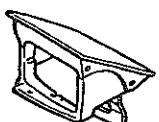
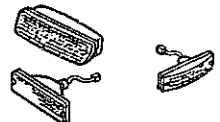
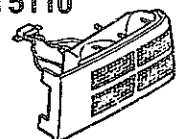

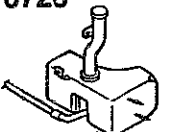
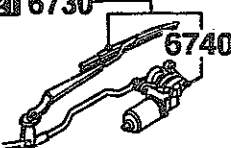
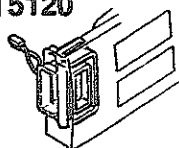

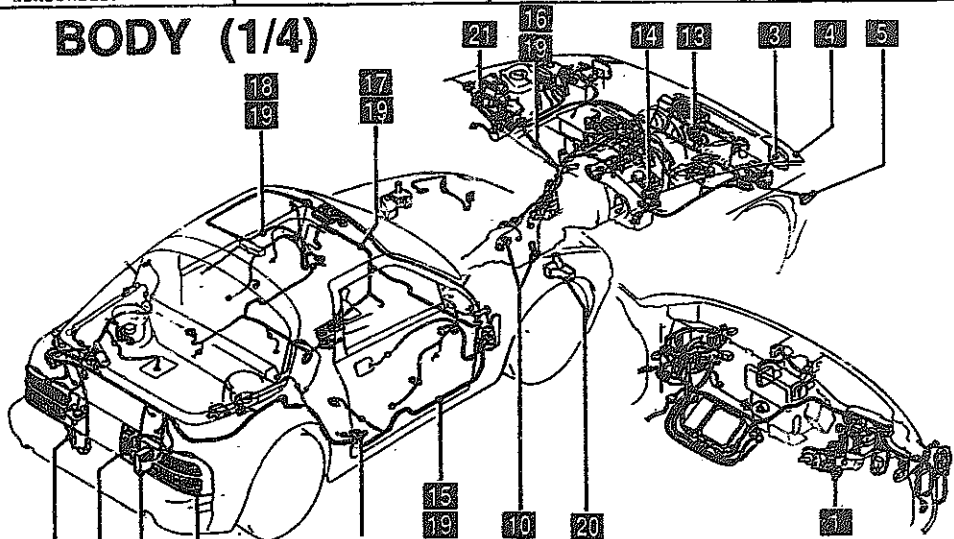
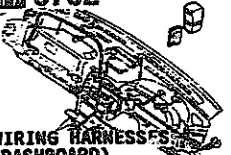

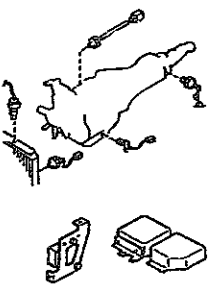

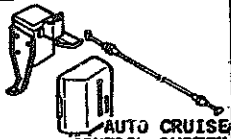
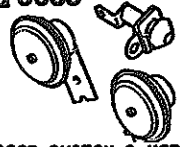

## PICTORIAL INDEX

<p><b>1 2505</b></p>  <p>REAR PROPELLER SHAFT</p>	<p><b>2 2550</b></p>  <p>REAR DRIVE SHAFT</p>	<p><b>3 2600</b></p>  <p>REAR AXLE</p>	<p><b>4 2610</b></p>  <p>REAR BRAKE MECHANISMS</p>	<p><b>5 2710</b></p>  <p>REAR DIFFERENTIALS</p>	<p><b>6 2800</b></p>  <p>REAR SUSPENSION MECHANISMS</p>
<p><b>20 4000</b></p>  <p>EXHAUST SYSTEM</p>	<p><b>21 4600</b></p>  <p>CHANGE CONTROL SYSTEM (AT)</p>	<p><b>22 1720</b> Given in Engine Group</p>  <p>CHANGE CONTROL SYSTEM (MANUAL TRANSMISSION)</p>	<h3>CHASSIS (1/2)</h3> 		<p><b>7 2801</b></p>  <p>REAR SPRING &amp; DAMPER</p>
<p><b>19 3900</b></p>  <p>ENGINE &amp; TRANSMISSION MOUNTINGS</p>				<p><b>8 2810</b></p>  <p>REAR STABILIZER</p>	
<p><b>18 3410</b></p>  <p>CROSSMEMBER &amp; STABILIZER</p>				<p><b>9 2830</b></p>  <p>REAR LOWER ARMS &amp; SUB FRAME</p>	
<p><b>17 3401</b></p>  <p>FRONT SPRING &amp; DAMPER</p>				<p><b>10 3200</b></p>  <p>STEERING WHEEL</p>	
<p><b>16 3400</b></p>  <p>FRONT SUSPENSION MECHANISMS</p>				<p><small>As this illustration is prepared to be applicable to all models, some parts are different in specifications from parts listed in this parts Catalog.</small></p>	
<p><b>15 3310</b></p>  <p>FRONT BRAKE MECHANISMS</p>	<p><b>14 3300</b></p>  <p>FRONT AXLE</p>	<p><b>16 3240</b></p>  <p>POWER STEERING SYSTEM (FRONT)</p>	<p><b>12 3220</b></p>  <p>STEERING GEAR</p>	<p><b>11 3210</b></p>  <p>STEERING COLUMN &amp; SHAFTS</p>	

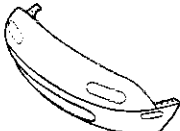



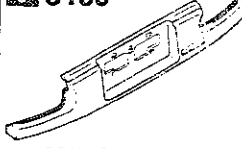
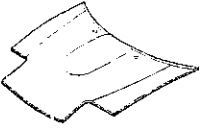
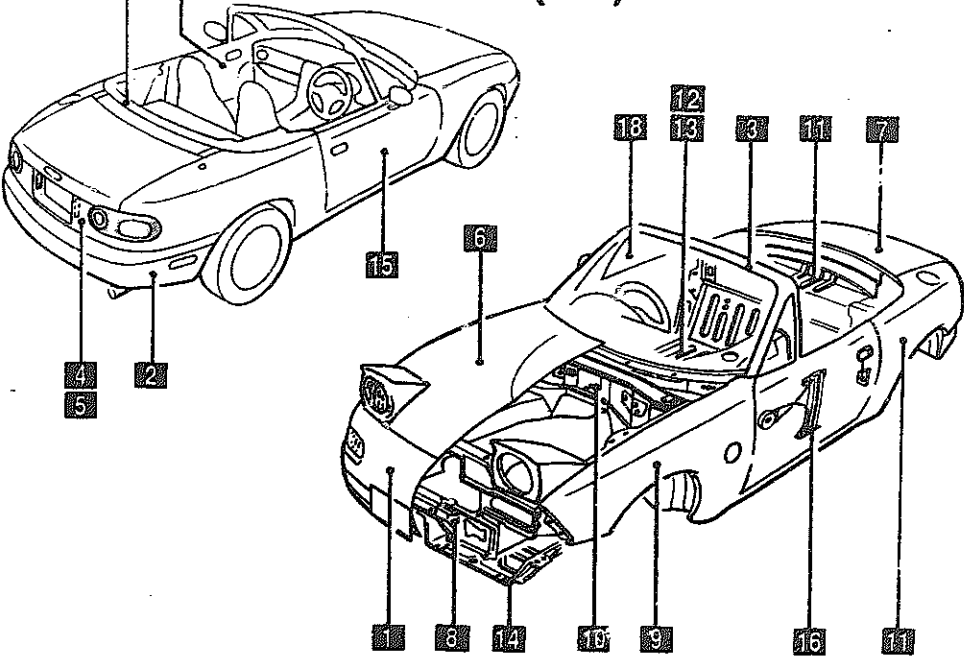

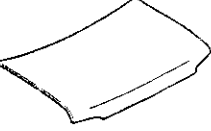

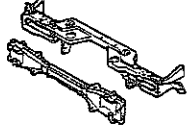
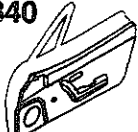
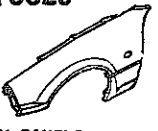
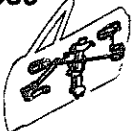
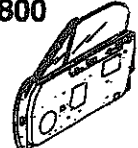
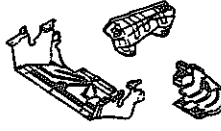
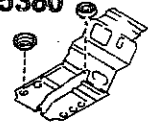
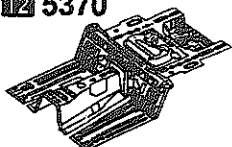
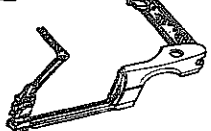
## PICTORIAL INDEX

<p><b>1 3700</b></p>  <p style="text-align: center;"><b>TIRES &amp; JACK</b></p>	<p><b>2 4140</b></p>  <p style="text-align: center;"><b>CLUTCH RELEASE &amp; MASTER CYLINDERS (MANUAL TRANSMISSION)</b></p>	<p><b>4145</b></p>  <p style="text-align: center;"><b>CLUTCH PIPINGS (MANUAL TRANSMISSION)</b></p>	<p><b>3 4160</b></p>  <p style="text-align: center;"><b>ACCELERATOR CONTROL SYSTEM</b></p>	<p><b>4 4200</b></p>  <p style="text-align: center;"><b>FUEL TANK</b></p>	<p><b>5 4300</b></p>  <p style="text-align: center;"><b>CLUTCH &amp; BRAKE PEDALS</b></p>
<h3 style="margin: 0;">CHASSIS (2/2)</h3> 					
<p style="font-size: small;">As this illustration is prepared to be applicable to all models, some parts are different in specifications from parts listed in this parts Catalog.</p>					
<p><b>6 4340</b></p>  <p style="text-align: center;"><b>BRAKE MASTER CYLINDER &amp; POWER BRAKE</b></p>					
<p><b>7 4360</b></p>  <p style="text-align: center;"><b>BRAKE PIPINGS</b></p>					
<p><b>8 4400</b></p>  <p style="text-align: center;"><b>PARKING BRAKE SYSTEM</b></p>					
<p><b>9 4500</b></p>  <p style="text-align: center;"><b>FUEL PIPINGS</b></p>					
<p><b>11 4210</b></p>  <p style="text-align: center;"><b>FUEL LID OPENER</b></p>				<p><b>10 4370</b></p>  <p style="text-align: center;"><b>ANTILOCK BRAKE SYSTEM</b></p>	

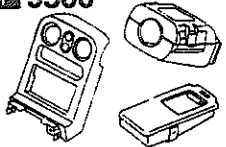
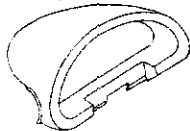

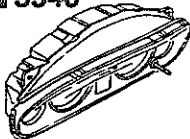
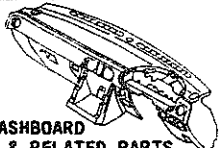
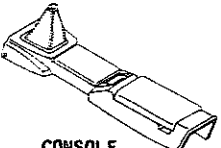
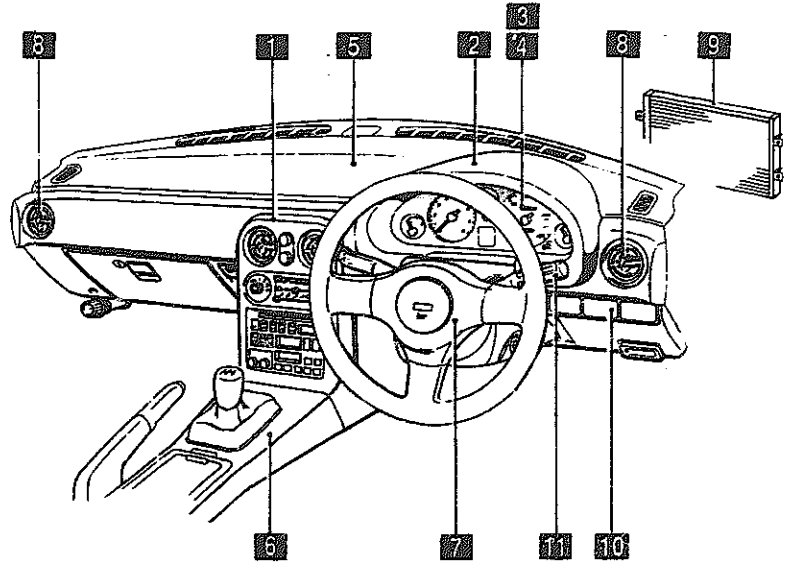

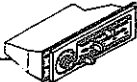



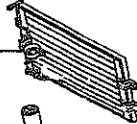


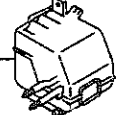
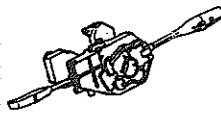
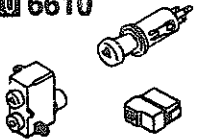
## PICTORIAL INDEX

<p><b>1</b> 0900</p>  <p style="text-align: center;">KEY SETS</p>		<p><b>3</b> 5100</p>  <p style="text-align: center;">HEAD LAMPS</p>	<p><b>4</b> 5103</p>  <p style="text-align: center;">HEAD LAMP RETRACTORS</p>	<p><b>5</b> 5105</p>  <p style="text-align: center;">FRONT COMBINATION LAMPS</p>	<p><b>6</b> 5110</p>  <p style="text-align: center;">REAR COMBINATION LAMPS</p>
<p><b>19</b> 6704</p>  <p style="text-align: center;">WIRING HARNESS CLAMPS</p>	<p><b>20</b> 6720</p>  <p style="text-align: center;">WINDSHIELD WASHER</p>	<p><b>21</b> 6730</p>  <p style="text-align: center;">WINDSHIELD WIPERS</p>			<p><b>7</b> 5120</p>  <p style="text-align: center;">LICENSE LAMPS</p>
<p><b>18</b> 6703</p>  <p style="text-align: center;">WIRING HARNESSES (DOOR, FLOOR/CEILING)</p>	<p><b>BODY (1/4)</b></p>  <p style="text-align: center; font-size: small;">As this illustration is prepared to be applicable to all models, some parts are different in specifications from parts listed in this parts Catalog.</p>				<p><b>8</b></p>
<p><b>17</b> 6702</p>  <p style="text-align: center;">WIRING HARNESSES (DASHBOARD)</p>					<p><b>9</b></p>
<p><b>16</b> 6701</p>  <p style="text-align: center;">WIRING HARNESSES (ENGINE &amp; TRANSMISSION)</p>					<p><b>10</b> 6600</p>  <p style="text-align: center;">SWITCHES &amp; RELAYS (ENGINE)</p>
<p><b>15</b> 6700</p>  <p style="text-align: center;">WIRING HARNESSES (FRONT &amp; REAR)</p>	<p><b>14</b> 6640</p>  <p style="text-align: center;">AUTO CRUISE CONTROL SYSTEM</p>	<p><b>13</b> 6635</p>  <p style="text-align: center;">DOOR SWITCH &amp; HORNS</p>	<p><b>12</b> 6630</p>  <p style="text-align: center;">RELAYS &amp; UNIT (BODY)</p>		

## PICTORIAL INDEX

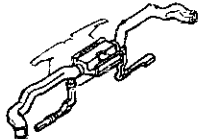


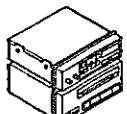
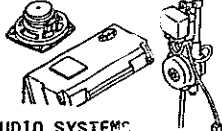
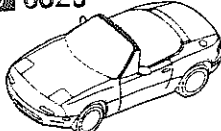
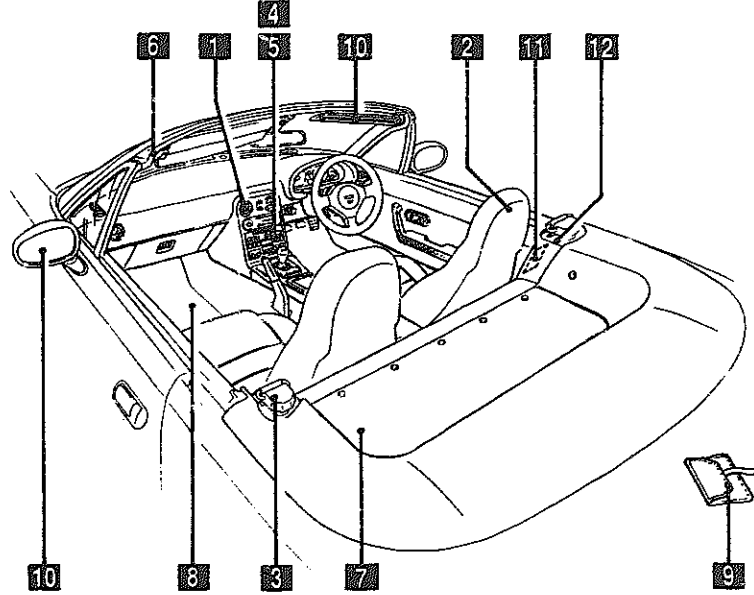

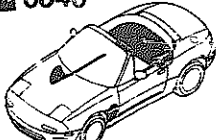
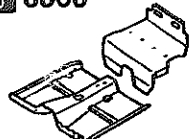

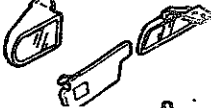

<p><b>1</b> 5000</p>  <p style="text-align: center;">FRONT BUMPER</p>	<p><b>2</b> 5010</p>  <p style="text-align: center;">REAR BUMPER</p>	<p><b>3</b> 5030</p>  <p style="text-align: center;">WINDOW MOULDING &amp; COWL GRILLES</p>	<p><b>4</b> 5170</p>  <p style="text-align: center;">ORNAMENTS</p>	<p><b>5</b> 5180</p>  <p style="text-align: center;">REAR FINISHER</p>	<p><b>6</b> 5230</p>  <p style="text-align: center;">BONNET</p>
<h3 style="margin: 0;">BODY (2/4)</h3> 					
<p><b>19</b> 6330</p>  <p style="text-align: center;">SUNROOF</p>					<p><b>7</b> 5260</p>  <p style="text-align: center;">TRUNK LID</p>
<p><b>18</b> 6300</p>  <p style="text-align: center;">WINDOW GLASSES</p>					<p><b>8</b> 5310</p>  <p style="text-align: center;">BODY PANELS (FRONT)</p>
<p><b>17</b> 5840</p>  <p style="text-align: center;">FRONT DOOR TRIMS &amp; RELATED PARTS</p>					<p><b>9</b> 5320</p>  <p style="text-align: center;">BODY PANELS (FENDER &amp; WHEEL APRON)</p>
<p><b>16</b> 5830</p>  <p style="text-align: center;">FRONT DOOR MECHANISMS</p>	<p><b>15</b> 5800</p>  <p style="text-align: center;">FRONT DOORS</p>	<p><b>14</b> 5390</p>  <p style="text-align: center;">FLOOR ATTACHMENTS</p>	<p><b>13</b> 5380</p>  <p style="text-align: center;">FLOOR ATTACHMENTS (HOLE COVERS)</p>	<p><b>12</b> 5370</p>  <p style="text-align: center;">BODY PANELS (FLOOR)</p>	<p><b>11</b> 5340</p>  <p style="text-align: center;">BODY PANELS (SIDE)</p>

## PICTORIAL INDEX

<p><b>1 5500</b></p>  <p><b>DASHBOARD EQUIPMENTS</b></p>	<p><b>2 5520</b></p>  <p><b>METER HOOD</b></p>	<p><b>3 5530</b></p>  <p><b>SPEEDOMETER CABLE</b></p>	<p><b>4 5540</b></p>  <p><b>METER COMPONENTS</b></p>	<p><b>5 5560</b></p>  <p><b>DASHBOARD &amp; RELATED PARTS</b></p>	<p><b>6 5570</b></p>  <p><b>CONSOLE</b></p>	
<p><b>BODY (3/4)</b></p> 						<p><b>7 5795</b></p>  <p><b>AIR BAG</b></p>
						<p><b>8</b></p>  <p><b>6115</b></p>  <p><b>6110</b></p>  <p><b>6100</b></p>  <p><b>6120</b></p> <p><b>HEATER</b></p>
						<p><b>9</b></p>  <p><b>6130</b></p>  <p><b>6135</b></p>  <p><b>6140</b></p>  <p><b>6150</b></p> <p><b>AIR CONDITIONER</b></p>
						<p><b>11 6611</b></p>  <p><b>COMBINATION SWITCH</b></p>
						<p><b>10 6610</b></p>  <p><b>DASHBOARD SWITCHES</b></p>



## PICTORIAL INDEX

<b>1</b> 5580  VENTILATOR	<b>2</b> 5700  SEATS	<b>3</b> 5790  SEAT BELTS	<b>4</b> 6680  AUDIO SYSTEMS (RADIO & TAPE DECK)	<b>5</b> 6682  AUDIO SYSTEMS (ANTENNA & SPEAKER)	<b>6</b> 6820  FRONT HEADER TRIM & PILLAR TRIMS
<h3 style="margin: 0;">BODY (4/4)</h3> 					
As this illustration is prepared to be applicable to all models, some parts are different in specifications from parts listed in this parts Catalog.					
				<b>12</b> 7250  QUARTER WINDOW & TRIMS	<b>7</b> 6840  TRIMS & SCUFF PLATES
					<b>8</b> 6860  FLOOR MATS & PADS
					<b>9</b> 6870  SERVICE TOOLS
					<b>10</b> 6900  VISORS, ASSIST HANDLES & MIRRORS
					<b>11</b> 6930  CAUTION PLATES & LABELS

## SECTION NAME INDEX (ENGINE)

LO.NO	SEC.NO	SECTION NAME	LO.NO	SEC.NO	SECTION NAME	LO.NO	SEC.NO	SECTION NAME
1-C03	1000	ENGINE & GASKET SETS						
1-E03	1010	CYLINDER HEAD & COVER						
1-H03	1030	CYLINDER BLOCK						
1-J03	1040	OIL PAN & TIMING COVER						
1-L03	1100	PISTON, CRANKSHAFT & FLYWHEEL						
1-C04	1200	VALVE SYSTEM						
1-E04	1300	INLET MANIFOLD						
1-F04	1310	EXHAUST MANIFOLD						
1-G04	1320	FUEL SYSTEM						
1-I04	1325	FUEL DISTRIBUTOR						
1-J04	1330	AIR CLEANER						
1-L04	1364	THROTTLE BODY						
1-M04	1370	EMISSION CONTROL SYSTEM (INLET SIDE)						
1-N04	1400	OIL PUMP & FILTER						
1-D05	1500	COOLING SYSTEM						
1-G05	1580	BRACKET, PULLEY & BELT						
1-C06	1600	CLUTCH DISC & COVER (MANUAL)						
1-D06	1700	TRANSMISSION CASE (MANUAL)						
1-F06	1710	TRANSMISSION GEARS (MANUAL)						
1-K06	1720	CHANGE CONTROL SYSTEM (MANUAL)						
1-N06	1800	ENGINE ELECTRICAL SYSTEM						
1-D07	1830	ALTERNATOR						
1-F07	1840	STARTER						
1-H07	1850	BATTERY						
1-I07	1910	TORQUE CONVERTER, OIL PUMP & PIPINGS (AUTOMATIC)						
1-L07	1920	TRANSMISSION CASE & MAIN CONTROL SYSTEM (AUTOMATIC)						
1-F08	1925	CONTROL VALVE (AUTOMATIC)						
1-J08	1930	CLUTCHES & PLANETARY GEARS (AUTOMATIC)						
1-E09	1940	GOVERNOR, LOW & REVERSE PISTON (AUTOMATIC)						
1-H09	1950	MANUAL LINKAGE SYSTEM (AUTOMATIC)						
1-J09	1960	GASKET & SEAL KIT (AUTOMATIC)						

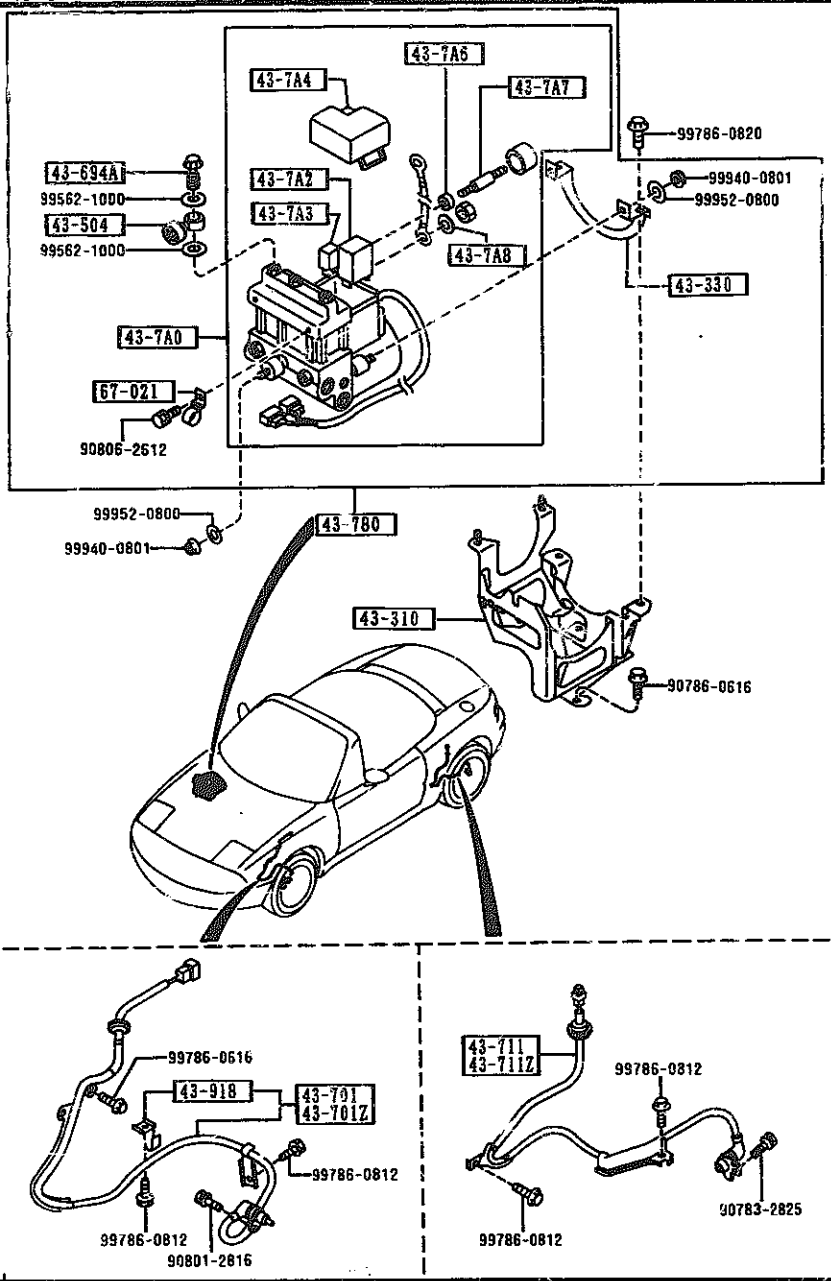
## SECTION NAME INDEX (CHASSIS)

LO.NO	SEC.NO	SECTION NAME	LO.NO	SEC.NO	SECTION NAME	LO.NO	SEC.NO	SECTION NAME
1-C11	2505	REAR PROPELLER SHAFT	1-E16	4300A	BRAKE PEDALS (AUTOMATIC TRANSMISSION)			
1-D11	2550	REAR DRIVE SHAFT	1-G16	4340	BRAKE MASTER CYLINDER & POWER BRAKE (W/O ANTI LOCK BRAKE SYSTEM)			
1-E11	2600	REAR AXLE	1-I16	4340 A	BRAKE MASTER CYLINDER & POWER BRAKE (ANTI LOCK BRAKE SYSTEM)			
1-F11	2610	REAR BRAKE MECHANISMS	1-K16	4360	BRAKE PIPINGS (W/O ANTI LOCK BRAKE SYSTEM)			
1-I11	2710	REAR DIFFERENTIALS (NORMAL DIFF.)	1-M16	4360 A	BRAKE PIPINGS (ANTI LOCK BRAKE SYSTEM)			
1-M11	2710 A	REAR DIFFERENTIALS (LIMITED SLIP DIFF.)	2-C03	4370	ANTILOCK BRAKE SYSTEM			
1-E12	2800	REAR SUSPENSION MECHANISMS	2-E03	4400	PARKING BRAKE SYSTEM			
1-F12	2801	REAR SPRING & DAMPER	2-G03	4500	FUEL PIPINGS			
1-G12	2810	REAR STABILIZER	2-103	4600	CHANGE CONTROL SYSTEM (AT)			
1-H12	2830	REAR LOWER ARMS & SUB FRAME						
1-J12	3200	STEERING WHEEL						
1-K12	3210	STEERING COLUMN & SHAFTS						
1-L12	3220	STEERING GEAR (W/O POWER STEERING)						
1-N12	3220 A	STEERING GEAR (W/ POWER STEERING)						
1-E13	3240	POWER STEERING SYSTEM						
1-G13	3300	FRONT AXLE (W/O ANTI LOCK BRAKE SYSTEM)						
1-H13	3300 A	FRONT AXLE (ANTI LOCK BRAKE SYSTEM)						
1-I13	3310	FRONT BRAKE MECHANISMS						
1-K13	3400	FRONT SUSPENSION MECHANISMS						
1-M13	3401	FRONT SPRING & DAMPER						
1-N13	3410	CROSSMEMBER & STABILIZER						
1-C14	3700	TIRES & JACK						
1-C15	3900	ENGINE & T/MISSION MOUNTINGS						
1-D15	4000	EXHAUST SYSTEM						
1-F15	4140	CLUTCH RELEASE & MASTER CYLINDERS (MANUAL TRANSMISSION)						
1-G15	4145	CLUTCH PIPINGS (MANUAL TRANSMISSION)						
1-H15	4160	ACCELERATOR CONTROL SYSTEM						
1-I15	4200	FUEL TANK						
1-M15	4210	FUEL LID OPENER						
1-N15	4300	CLUTCH & BRAKE PEDALS (MANUAL TRANSMISSION)						

## SECTION NAME INDEX (BODY)

LO.NO	SEC.NO	SECTION NAME	LO.NO	SEC.NO	SECTION NAME	LO.NO	SEC.NO	SECTION NAME
2-C05	0900	KEY SETS	2-D13	6110	HEATER UNIT COMPONENTS	3-M04	7250	QUARTER WINDOW & TRIMS
2-E05	5000	FRONT BUMPER	2-E13	6115	HEATER CONTROLS COMPONENTS			
2-H05	5010	REAR BUMPER	2-G13	6120	HEATER BLOWER COMPONENTS			
2-J05	5030	WINDOW MOULDING & COWL GRILLES	2-H13	6130	AIR CONDITIONER			
2-K05	5100	HEAD LAMPS	2-M13	6135	O RING SET, PIPING			
2-L05	5103	HEAD LAMP RETRACTORS	2-N13	6140	COMPRESSOR COMPONENTS (AIR CON DITIONER)			
2-C06	5105	FRONT COMBINATION LAMPS	2-D14	6150	COOLING UNIT (AIR CONDITIONER)			
2-E06	5110	REAR COMBINATION LAMPS	2-E14	6300	WINDOW GLASSES			
2-H06	5120	LICENSE LAMPS	2-F14	6330	SUNROOF			
2-I06	5170	ORNAMENTS	2-D15	6600	SWITCHES & RELAYS (ENGINE)			
2-J06	5180	REAR FINISHER	2-G15	6610	DASHBOARD SWITCHES			
2-K06	5230	BONNET	2-H15	6611	COMBINATION SWITCH			
2-M06	5260	TRUNK LID	2-I15	6630	RELAYS & UNIT (BODY)			
2-N06	5310	FRONT PANELS	2-K15	6635	DOOR SWITCH & HORNS			
2-C07	5320	FENDER & WHEEL APRON PANELS	2-L15	6640	AUTO CRUISE CONTROL SYSTEM			
2-E07	5330	DASH & COWL PANELS	2-M15	6680	AUDIO SYSTEMS (RADIO & TAPE DE CK)			
2-F07	5340	SIDE PANELS	2-F16	6682	AUDIO SYSTEMS (ANTENNA & SPEAK ER)			
2-K07	5370	FLOOR PANELS	2-H16	6700	WIRING HARNESSSES(FRONT & REAR )			
2-N07	5380	FLOOR ATTACHMENTS (HOLE COVERS )	2-J16	6701	WIRING HARNESSSES(ENGINE & T/MI SSION)			
2-C08	5390	FLOOR ATTACHMENTS	2-L16	6702	WIRING HARNESSSES(DASHBOARD)			
2-C09	5500	DASHBOARD EQUIPMENTS	2-M16	6703	WIRING HARNESSSES(DOOR, FLOOR/CE ILING)			
2-E09	5520	METER HOOD	3-C03	6704	WIRING HARNESS CLAMPS			
2-F09	5530	SPEEDOMETER CABLE	3-F03	6720	WINDSHIELD WASHER			
2-G09	5540	METER COMPONENTS	3-J03	6730	WINDSHIELD WIPERS			
2-I09	5560	DASHBOARD & RELATED PARTS	3-L03	6740	WIPER MOTOR COMPONENTS(FRONT)			
2-L09	5570	CONSOLE	3-M03	6820	FRONT HEADER TRIM & PILLAR TRI MS			
2-C10	5580	VENTILATOR	3-N03	6840	TRIMS & SCUFF PLATES			
2-E10	5700	SEATS	3-D04	6860	FLOOR MATS & PADS			
2-D11	5790	SEAT BELTS	3-G04	6870	SERVICE TOOLS			
2-E11	5795	AIR BAG	3-H04	6900	VISORS, ASSIST HANDLES & MIRROR S			
2-G11	5800	FRONT DOORS	3-K04	6930	CAUTION PLATES & LABELS			
2-J11	5830	FRONT DOOR MECHANISMS						
2-N11	5840	FRONT DOOR TRIMS & RELATED PAR TS						
2-C13	6100	HEATER						

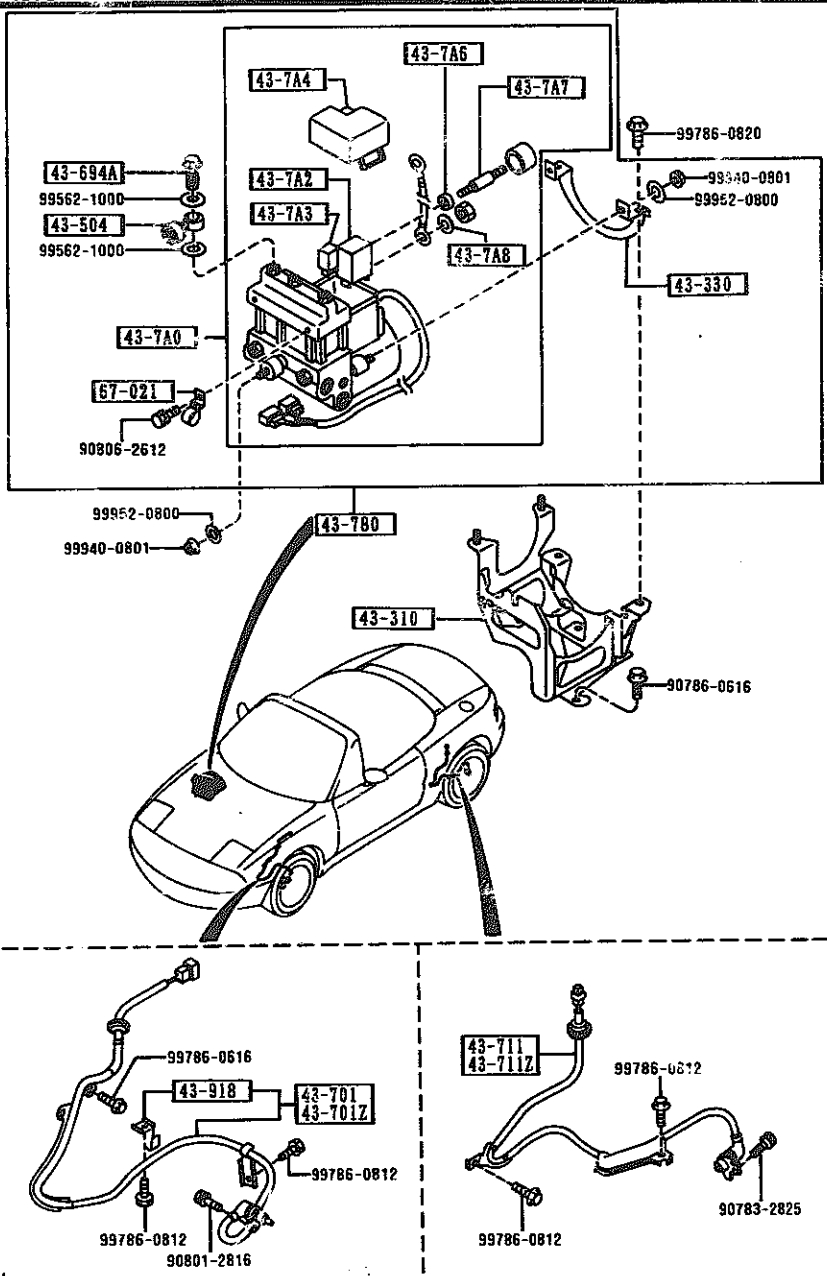
4370 ANTILOCK BRAKE SYSTEM



PART NO.	QTY	MODEL/RESTRICTION	MODEL/RESTRICTION	MODEL/RESTRICTION	FROM-TO
43-310 NA23-43-310B	1	BRACKET NO 1, A.B.S.			
43-330 NA23-43-330B	1	BRACKET NO.5, A.B.S.			
43-504 W023-43-504	3	JOINT, PIPE			
43-694A B001-43-694A	3	BOLT, CONNECTOR			
43-7A0 NA23-43-7A0B AN(NA23-43-7A0C)	1	HYDRAULIC UNIT, A B S			-3513
NA23-43-7A0C	1				3513-
43-7A2 NA23-43-7A2	1	RELAY, MOTOR-HYD. UNIT			
43-7A3 NA23-43-7A3	1	RELAY, VALVE-HYD. UNIT			
43-7A4 NA23-43-7A4	1	COVER 'L', HYDRAULIC UNIT			
43-7A6 NA23-43-7A6	1	RUBBER, MOUNT-HYD. UNIT			
43-7A7 NA23-43-7A7	1	STUD, HEX-HYD. UNIT			
43-7A8 NA23-43-7A8	1	WASHER, HYD. UNIT			
43-701 NA23-43-701D	1	SENSOR (R), FRT-A.B.S.			
43-701Z NA23-43-73XD	1	SENSOR (L), FRT-A.B.S.			
3513 NA351K-42C883					

4370 ANTILOCK BRAKE SYSTEM

4370 -2 \* ANTILOCK BRAKE SYSTEM



PART NO.	QTY	MODEL/RESTRICTION	MODEL/RESTRICTION	MODEL/RESTRICTION	FROM-TO
43-711 NA23-43-71YB	1	SENSOR(R), RR A.B.S.			
43-711Z NA23-43-72YB	1	SENSOR(L), RR-A.B.S.			
43-780 NA23-43-780E AN(NA23-43-780F)	1	ANTILOCK BRAKE			-3513
43-780F NA23-43-780F	1				3513-
43-918 NA23-43-705	2	CLIP, SENSOR HARNESS			
67-021 BE32-67-021	2	CLIP			
3513 NA351#-420883					

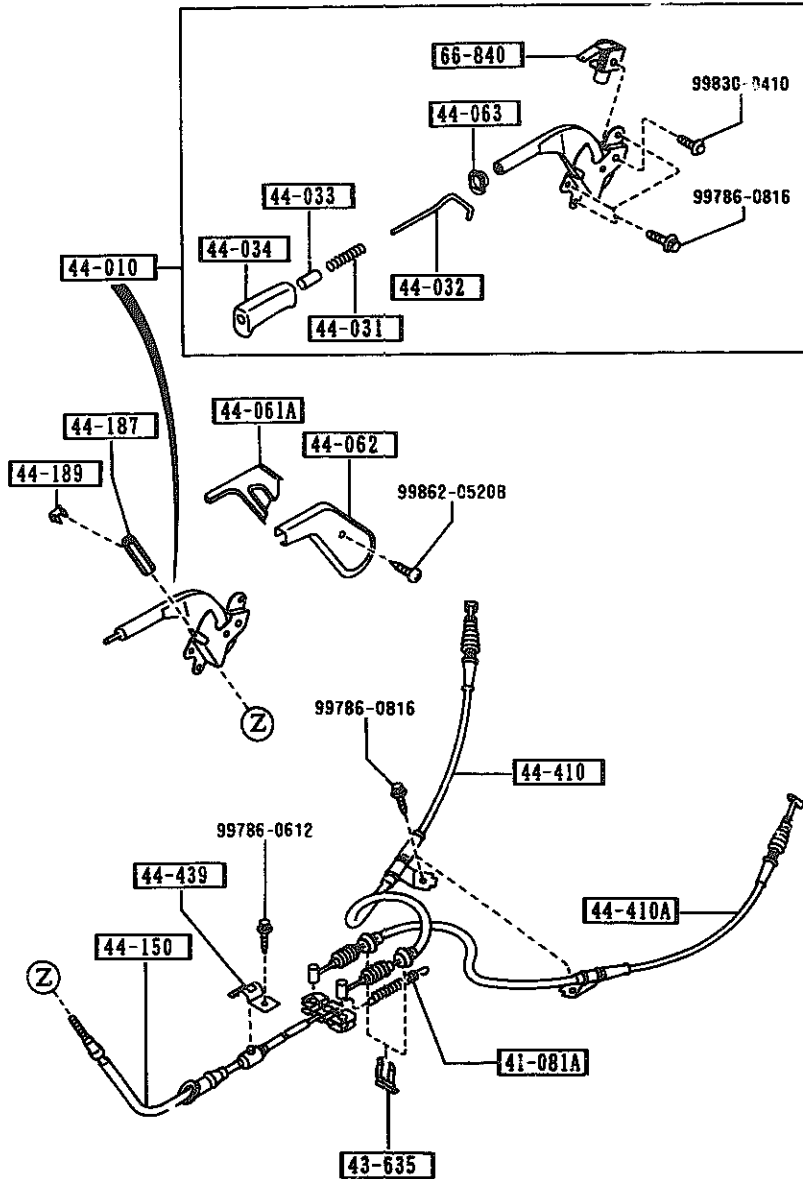
AUNA03

CAT. AUNA03-04

1994-10

4400 PARKING BRAKE SYSTEM

4400 -1 PARKING BRAKE SYSTEM



PART NO.	QTY	MODEL/RESTRICTION	MODEL/RESTRICTION	MODEL/RESTRICTION	FROM-TO
41-081A		SPRING, RETURN			
0750-41-308	1				
43-635		CLIP, FLEXIBLE HOSE			
W023-43-635	2				
44-010		LEVER, PARKING BRAKE			
NA01-44-010	1	BASE, (URETHANE)			
ND01-44-010A	1	OPT, (WOOD)			
44-031		SPRING, PARKING REVER			
G030-44-031	1				
44-032		ROD, RELEASE			
NA01-44-032	1				
44-033		BUTTON, RELEASE			
FB01-44-033	1				
44-034		CAP, PARK BRAKE LEVER			
FB01-44-034	1	BASE, (URETHANE)			
ND01-44-034B	1	OPT, (WOOD)			
44-061A		COVER			
FB01-44-061B	1				
44-062		COVER			
FB01-44-062A	1				
44-063		SPACER			
FC01-44-063A	1	BASE, (URETHANE)			
ND01-44-063	1	OPT, (WOOD)			
44-150		CABLE, PARKING-FRT			
NA01-44-150B	1				



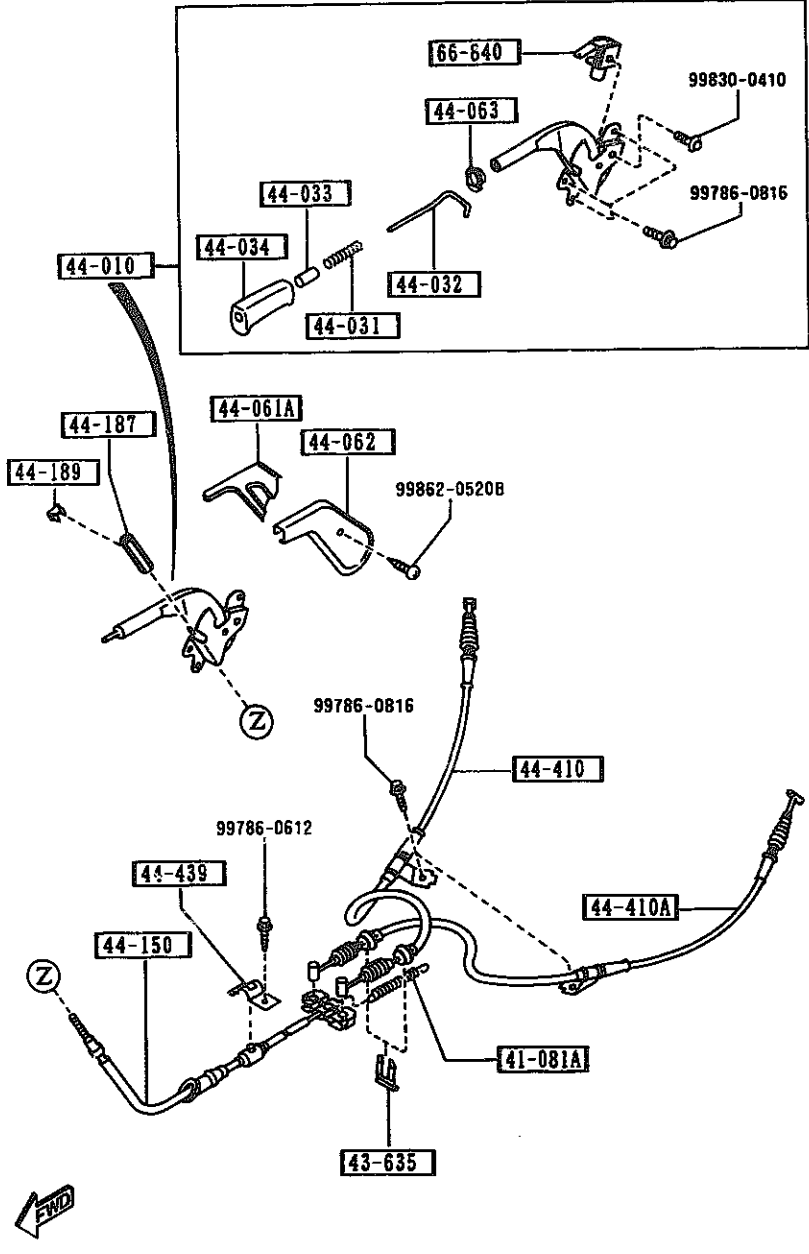
AUNA03

CAT. AUNA03-04

1994-10

4400 -2 \* PARKING BRAKE SYSTEM

4400 PARKING BRAKE SYSTEM



PART NO.	QTY	MODEL/RESTRICTION	MODEL/RESTRICTION	MODEL/RESTRICTION	FRON-TO
44-187		SCREW, ADJUST			
0866-44-187A	1				
44-189		CLIP			
0866-44-189	1				
44-410		CABLE (R), R.-PARK.			
NA01-44-410B	1				
44-410A		CABLE (L), R.-PARK.			
NA01-44-420B	1				
44-439		CLIP, CABLE			
1011-44-439	1				
66-840		SWITCH, PARKING LAMP			
GJ21-66-450A	1				

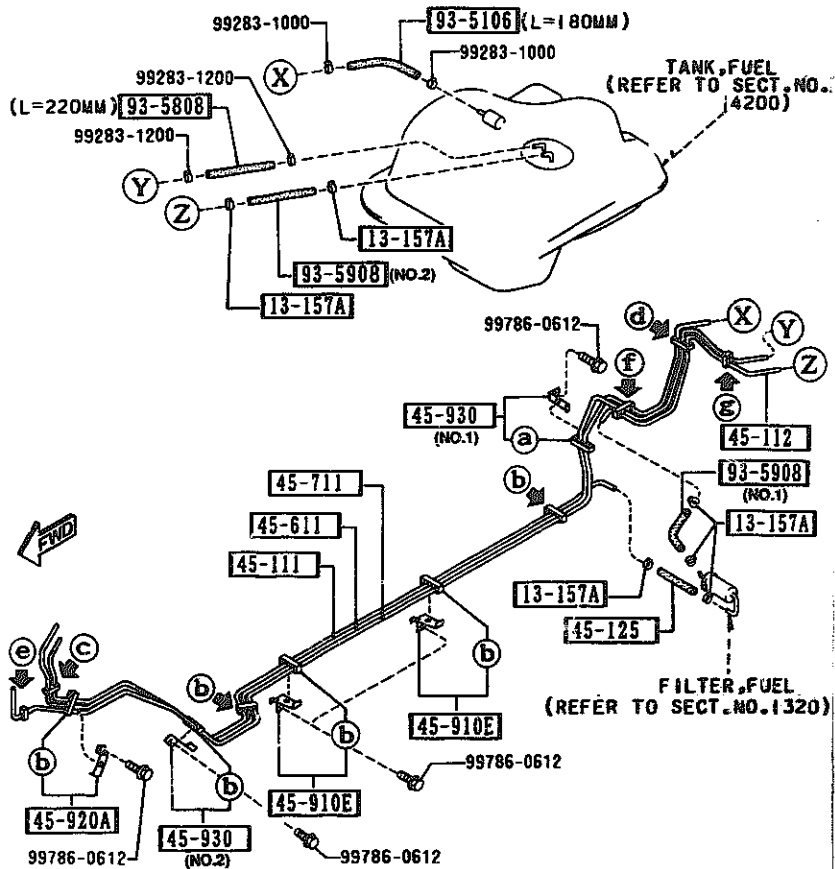
AUNA03

CAT. AUNA03-04

1994-10



4500 FUEL PIPINGS

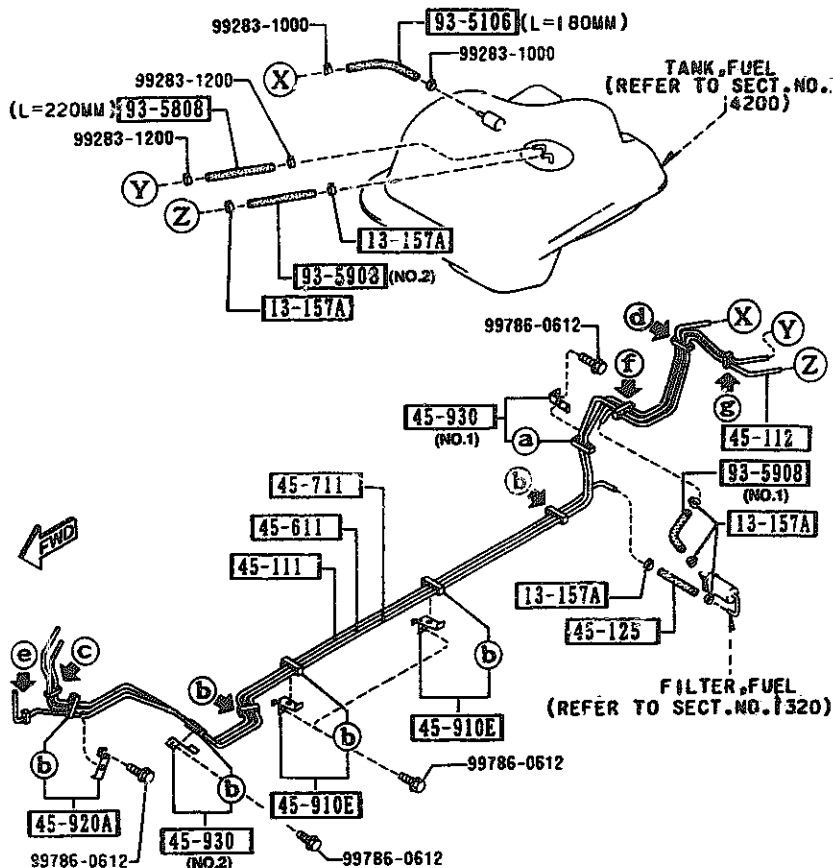


a	b	c	d	e	f	g
45-912D (NO.1)	45-912D (NO.2)	45-913	45-913A	45-914	45-915	45-921

93-5106		99351-06999	L=180MM
93-5808		99358-08999	L=220MM

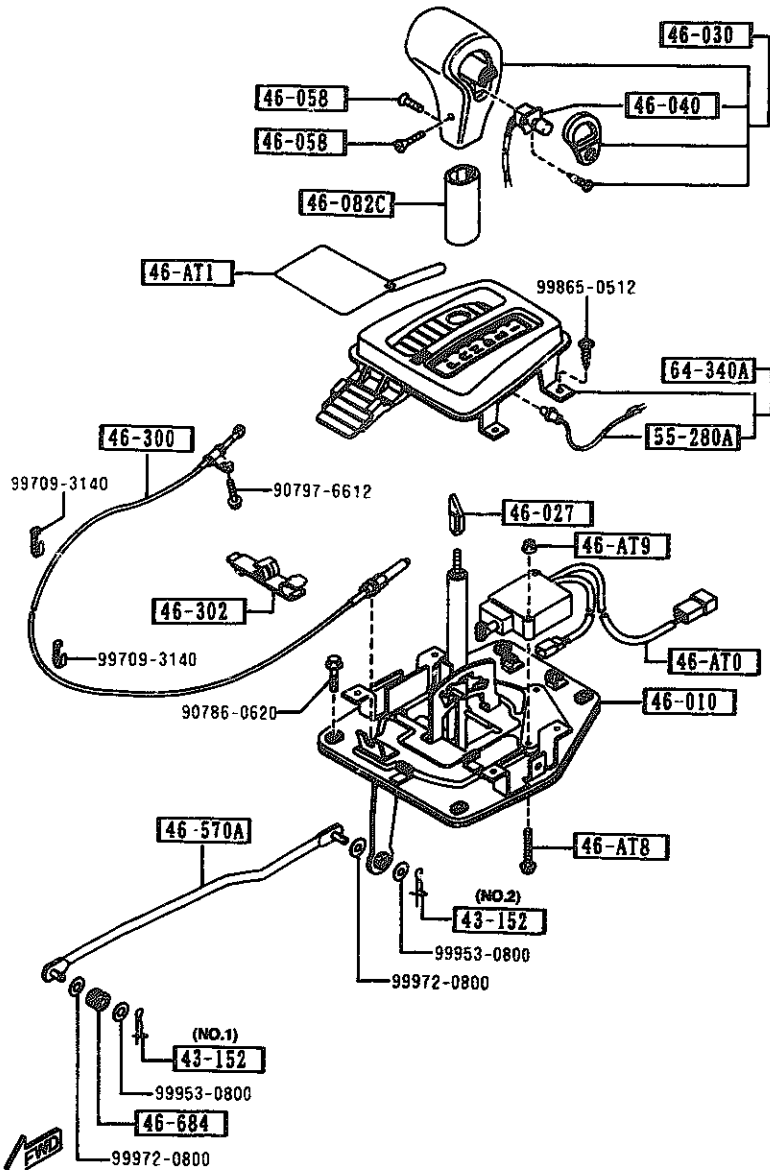
PART NO.	QTY	MODEL/RESTRICTION	MODEL/RESTRICTION	MODEL/RESTRICTION	FROM-TO
13-157A		CLIP			
8574-13-157	6				
45-111		PIPE, FUEL-MAIN			
NA01-45-111	1				
45-112		PIPE, FUEL-MAIN			
NA01-45-112A	1				
45-125		HOSE, FUEL			
99359-0815	1				
45-611		PIPE, FUEL-RETURN			
NA01-45-611	1				
45-711		PIPE, EVAPORATION			
NA01-45-711A	1				
45-910E		HOLDER, PIPE			
H266-45-910A	2				
45-912D		HOLDER 'A'			
H260-45-912	1 (ILLUST. NO.1)				
H266-45-912	6 (ILLUST. NO.2)				
45-913		HOLDER, PIPE			
NA01-45-912	1				
45-913A		CLIP, PIPE			
NA01-45-913	1				
45-914		HOLDER, PIPE			
FB01-45-914	1	NIFUKO			
45-915		CLIP, PIPE			
NA01-45-914	1				
45-920A		HOLDER 'B', PIPE			
H266-45-920A	1				

4500 FUEL PIPINGS



a	b	c	d	e	f	g
45-912D (NO.1)	45-912D (NO.2)	45-913	45-913A	45-914	45-915	45-921
93-5106			99351-06999	L=180MM		
93-5808			99358-08999	L=220MM		

PART NO.	QTY	MODEL/RESTRICTION	MODEL/RESTRICTION	MODEL/RESTRICTION	FROM-TO
45-921		CLIP, PIPE			
B210-45-917	1				
45-930		HOLDER 'C', PIPE			
H260-45-930	1	(ILLUST. NO.1)			
H266-45-930A	1	(ILLUST. NO.2)			
93-5106		HOSE			
99351-06999	1				
93-5808		HOSE			
99358-08999	1				
93-5908		HOSE			
99359-0816	1	(ILLUST. NO.1)			
99359-0817	1	(ILLUST. NO.2)			

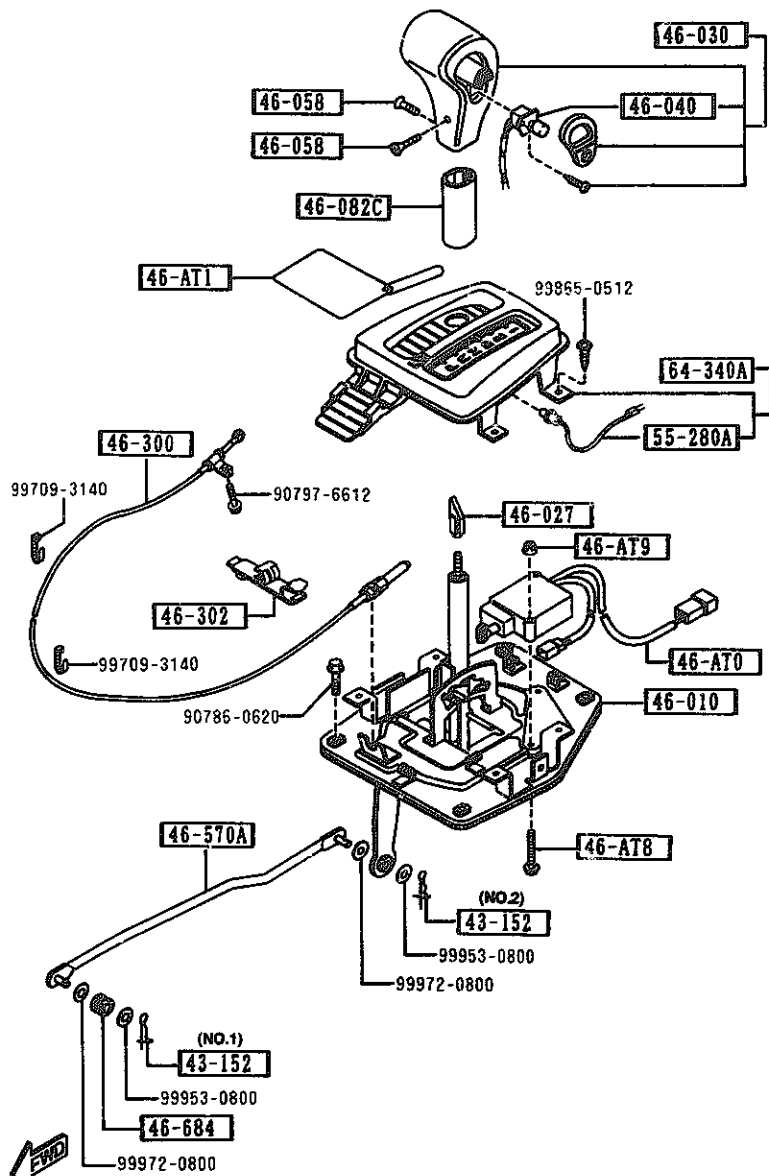


PART NO.	QTY	MODEL/RESTRICTION	MODEL/RESTRICTION	MODEL/RESTRICTION	FROM-TO
43-152		PIN, SNAP			
D001-43-152	1	(ILLUST. NO.1)			
FB02-43-152A	1	(ILLUST. NO.2)			
46-AT0		ACTUATOR, SHIFT LOCK			
NA03-46-AT0A	1				-3401
NA56-46-AT0	1				3401-
46-AT1		TAG, CAUTION-CHANGE			
GN52-46-AT1B	1				
46-AT8		SCREW			
H338-46-AT8	2				
46-AT9		NUT			
H338-46-AT9	2				
46-010		LEVER, SELECT			
NA03-46-100F	1				-3401
NA56-46-100	1				3401-
46-027		CAM, CHANGE LEVER			
H338-46-027	1				
46-030		KNOB, CHANGE LEVER			
NA03-46-030B	1				
46-040		SWITCH, OVER DRIVE CONTROL			
NA03-46-040B	1				
46-058		SCREW, CHANGE LEVER KNOB			
FB02-46-058C	2				
46-082C		COVER, SELECT LEVER			
NA03-46-088	1				
46-300		CABLE, INTER LOCK			
NA03-46-300B	1				-3401
46-302		CLIP			
3401 NA351#-41882					

AUNA03

CAT. AUNA03-04

1994-10



PART NO.	QTY	MODEL/RESTRICTION	MODEL/RESTRICTION	MODEL/RESTRICTION	FROM-TO
CONT'D NA16-46-302	1				-3601
46-570A		RDD, SELECTOR-REAR			
NA03-46-570	1				
46-684		BUSH			
1015-46-684A	1				
55-280A		BULB & SOCKET			
NA03-55-280A	1				
64-340A		INDICATOR			
NA03-64-350C	1				
3601 NA351*-42220					